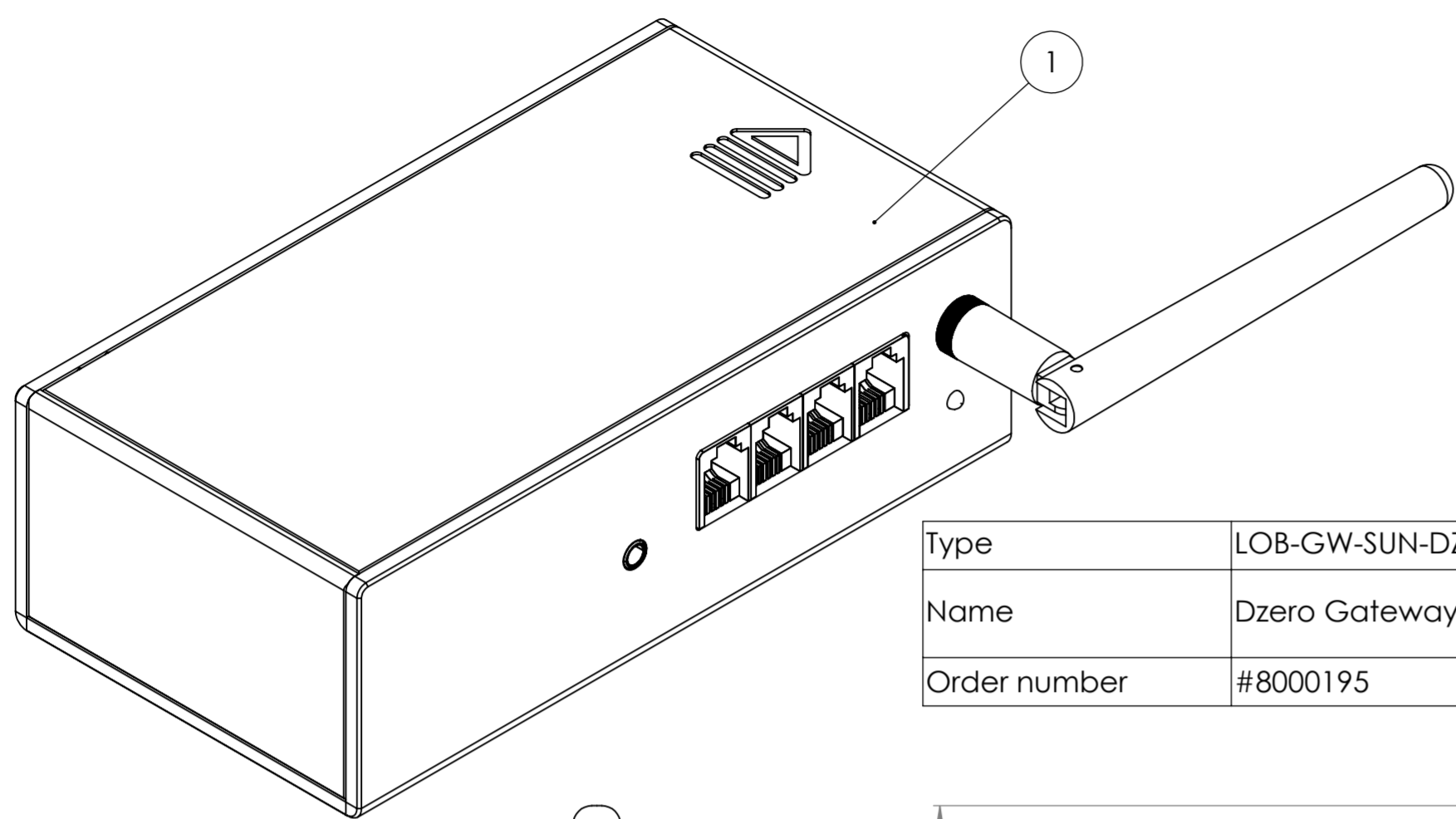
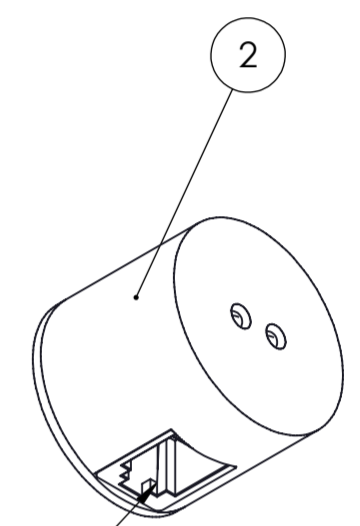
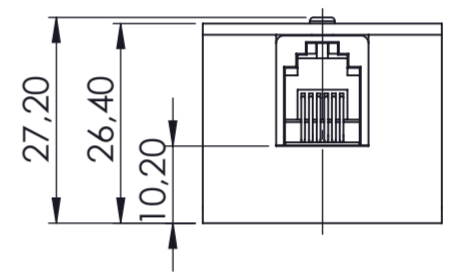
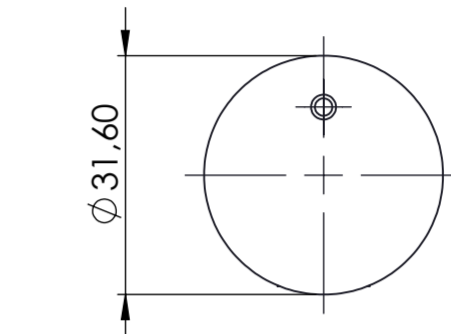


Pos.:	Name	Article number
1	Dzero Gateway 4x	#8000195
H2	Opo head	#3000763

# LOB-GW-SUN-DZERO [Dimensions]

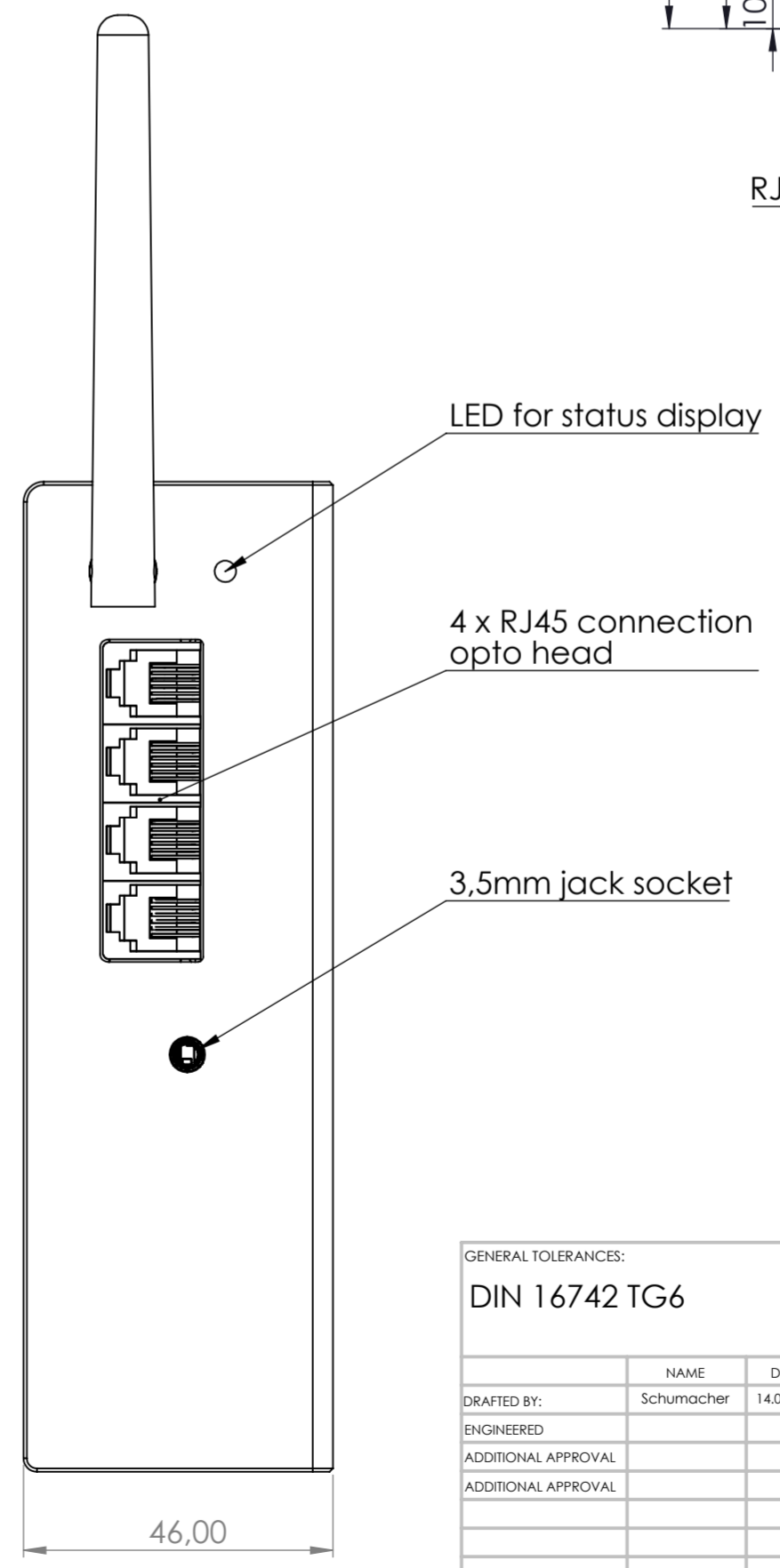
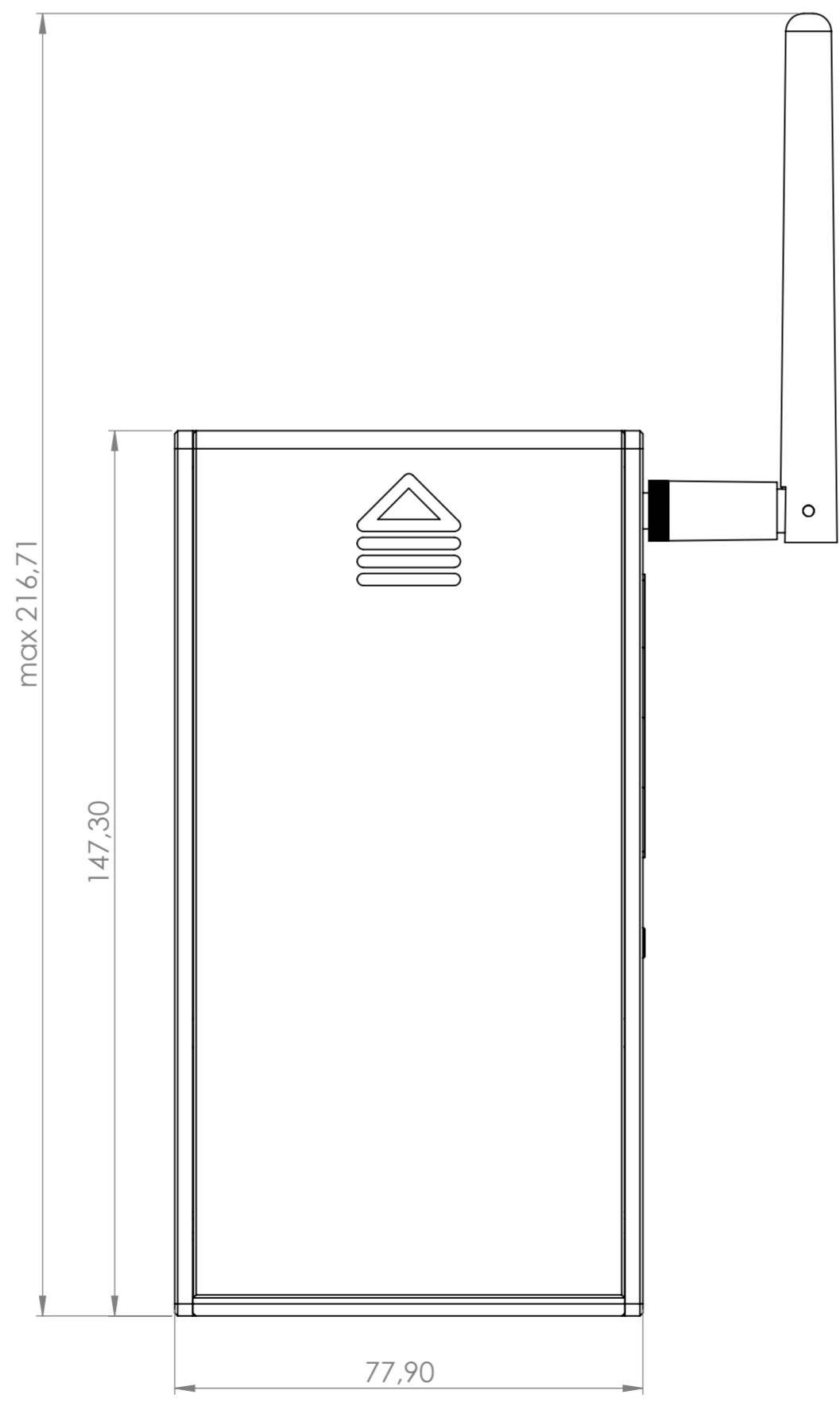
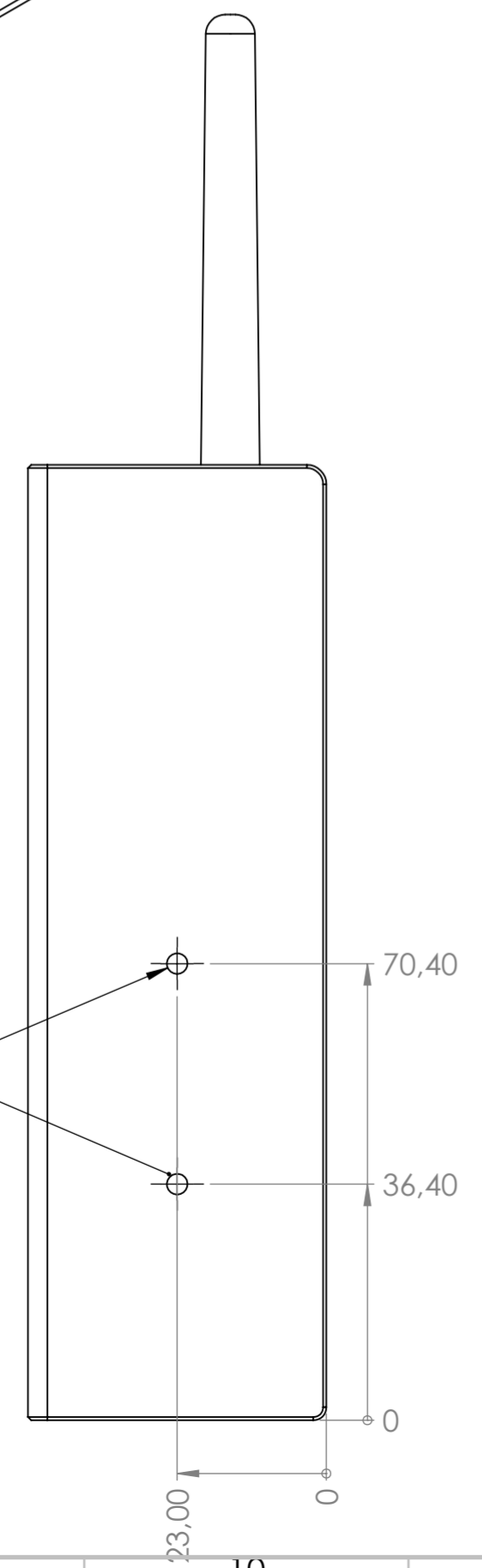


Type	LOB-GW-SUN-DZERO
Name	Dzero Gateway 4x
Order number	#8000195



RJ45 connection (1m cable)

Option:  
Connection with  
APRA 442-311-35  
DIN rail retaining  
clips, 18 mm for  
TS35



GENERAL TOLERANCES:			DIMENSIONS in mm		REV: A
DIN 16742 TG6			ARTICLE NO.:		#8000195
			TITLE:		Lobaro Industrial IoT Solutions
DRAFTED BY:	NAME	DATE	DWG No.		LOB-GW-SUN-DZERO
ENGINEERED	Schumacher	14.06.2023	MATERIAL:		ASSEMBLY
ADDITIONAL APPROVAL			WEIGHT: 242 g (excl. battery)		SCALE: 1:1
ADDITIONAL APPROVAL					SHEET 1 OF 1